

Connectivity.Assured

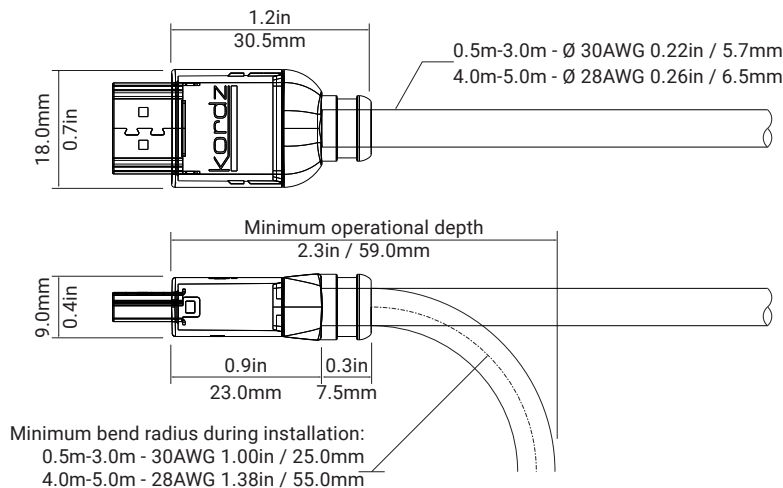
PRO³ 4K60/8K30 18Gbps High Performance HDMI Cable

The Kordz PRO3 Series 4K60/8K30 18Gbps High Performance HDMI Cable is designed & engineered for the professional AV Integrator making it a cost-effective and reliable choice for HDMI connectivity. It employs materials and construction methodologies which deliver a balance of economy and dependable high performance without compromising the most critical element, the retention of digital signal integrity.

- Engineered and constructed to ensure installation success whilst maintaining cost-effectiveness
- High Speed with Ethernet 2160p (4K/60 4:4:4) / 4320p (8K/30 4:2:0) support
- Infrared soldered pin transitions for benchmark inter-terminal uniformity
- ABS + PVC boot shell assembly with folded gold plated HDMI connector
- 100% of units tested on the production line for electrical continuity on all pins
- UL CMG fire rated on all lengths
- Limited lifetime warranty
- **Licensed HDMI 2.0 Adopter company.**



Technical Specifications	
HDMI Certification	
0.5m - 5.0m Lengths	
HDMI CTS (Certified Test Specification) High Speed with Ethernet	
Certified Data Rate	6.0Gbps, 17.82Gbps agg
Supported Data Rate	≥ 6.0Gbps, 17.82Gbps agg (4K UHD)
HDMI Clock	27-340MHz
Construction	
Primary Conductors	Solid 30-28AWG OFC, length dependent
Insulation	TMDS HDPE, Foamed-PE, length dependent
	4C + HEAC Pairs HDPE
Shielding	TDMS Pairs Al / Mylar, 100% coverage
	Overall AL/Mylar, 100% coverage + Al-Mg alloy braid, min 85% coverage
Cable Jacket	UL CMG fire-rated PVC composite materials
HDMI Connector Shell	Premium gauge folded steel, 1μ" 24K Gold plated
HDMI Connector Pins	Solid OFC, 15μ" 24K Gold plated
Termination	High Frequency Soldering
Strain Relief	ABS front shell with PVC injection moulded boot and strain relief
Mechanical	
Cable Diameter	30AWG 5.7mm/0.22"Ø 28AWG 6.5mm/0.26"Ø
Mounting Depth	cable gauge dependent (see below)
Cable Bend Radius	cable gauge dependent (see below)
Retention Force (nom)	9.9N (1kg / 2.2lbs) +10/-5%



HDMI[®]
2.0 Adopter



PRO³ General Application High Performance HDMI[®] Cable

Application Specifications	
Video Format Support	Data rate per channel / Aggregate, TMDS Bandwidth
480i/p, 576i/p	≤ 540Mbps/1.62Gbps, 270MHz
720p/1080i	742.5Mbps/2.22Gbps, 371.25MHz
1080p - 8-bit RGB/YCbCr 4:4:4, 10/12-bit 4:2:2 or 4:2:0	
23.98/24/29.97/30	742.5Mbps/2.22Gbps, 371.25MHz
50/59.94/60	1.485Gbps/4.455Gbps, 742.5MHz
3D-24/30	1.485Gbps/4.455Gbps, 742.5MHz
3D-50/60	2.97Gbps/8.91Gbps, 1.485GHz
1080p - 10/12/16-bit RGB/YCbCr 4:4:4	
50/59.94/60fps	1.86-2.97Gbps/5.57-8.91Gbps, ≤ 1.485GHz
2160p (UHD/4K)	
HDMI 1.4b - 8-bit RGB/YCbCr 4:4:4, 10/12-bit 4:2:2 or 4:2:0	
4096x2160p/24 (SMPTE)	2.97Gbps/8.91Gbps, 1.485GHz
3840x2160p/23.98/24/29.97/30	2.97Gbps/8.91Gbps, 1.485GHz
HDMI 2.0 - 8-bit YCbCr 4:2:0	
2160p*/50/59.94/60	2.97Gbps/8.91Gbps, 1.485GHz
HDMI 2.0Mode, 8-bit 4:4:4, 10/12-bit 4:2:2 or 16-bit 4:2:0	
2160p*/50/59.94/60-2D 9CEA-861-F	5.94Gbps/17.82Gbps, 2.97GHz
2160p*30-3D	5.94Gbps/17.82Gbps, 2.97GHz
VESA Graphics	Supports all as defined by HDMI 2.0 specification, up to 17.82Gbps
Color Spaces	RGB, YCbCr, xvYCC, Adobe sRGB, sYCC601, ITU-BT.2020
Audio Formats Support	PCM 2.0-7.1, DD/DTS HD 7.1, 3D Audio (10.2 22.2 30.2ch)
HDMI Audio Return Channel	Supported, System Dependant

Commercial Range Comparison Features	ONE	PRO ³	PRS ³	R.3
1080p60 On all Lengths	✓	✓	✓	✓
4K24 4:2:2 HDR12	to 3m	✓	✓	✓
4K60 4:4:4 8 Bit	✗	✓	✓	✓
10.2 Gbps Guaranteed Bandwidth	to 3m	✓	✓	✓
18.0 Gbps Guaranteed Bandwidth	✗	✓	✓	✓
Connector Retention Force	<1kg	1kg	3kg	2kg
Dual wrap Al/Mylar + industry leading 90% coverage copper braid shield	✗	✗	✗	✓
DPL Labs Certified	✗	✗	✓	✓
Lifetime Warranty	✓	✓ ^②	✓ ^②	✓
Jacket Material - fire rating	UL CM/G ^④	UL CMG	UL CMG ^③	HF ^①

① Refers to Halogen Free Jacket Material ② 5 Year Warranty on All Active Cables ③ Available in LSZH and CMP for AOC Cables Only
 ④ PVC Jacket to 3m / UL CMG Fire rated 5m + 10m

Part No:	Length	AWG	Technology	Inner Ctn Qty	Inner Ctn Weight Kgs	Master Ctn Qty	Master Ctn Weight Kgs
K26016-0050-CH	0.5m 1' 7"	30	Passive	15	TBC	90	TBC
K26016-0100-CH	1.0m 3' 3"	30	Passive	10	TBC	60	TBC
K26016-0150-CH	1.5m 4' 11"	30	Passive	8	TBC	48	TBC
K26016-0200-CH	2.0m 6' 6"	30	Passive	6	TBC	36	TBC
K26016-0300-CH	3.0m 9' 10"	30	Passive	10	TBC	30	TBC
K26016-0400-CH	4.0m 13' 14"	28	Passive	8	TBC	24	TBC
K26016-0500-CH	5.0m 16' 4"	28	Passive	5	TBC	15	TBC

Kordz products are sold with a limited warranty as outlined at: www.kordz.com

©2020 Kordz International. All rights reserved. Kordz Connectivity.Assured & Kordz range logos are trademarks or registered trademarks of Kordz International in Hong Kong and in other countries. All other trademarks are the property of their respective owners.